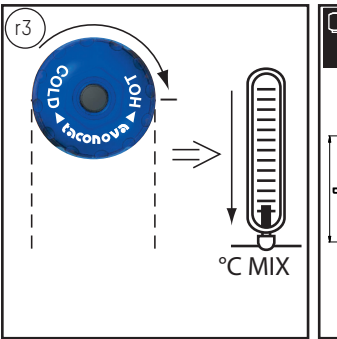
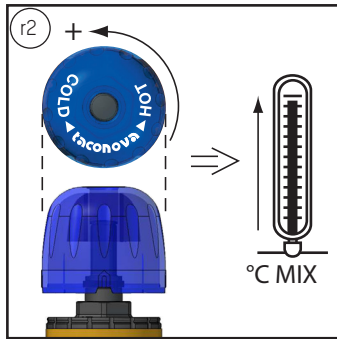
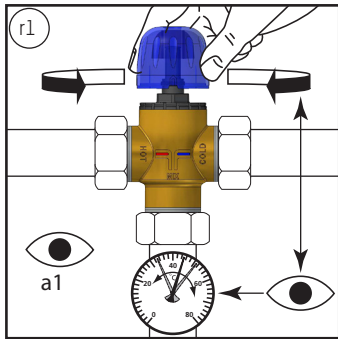
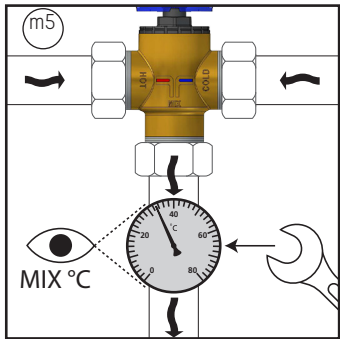
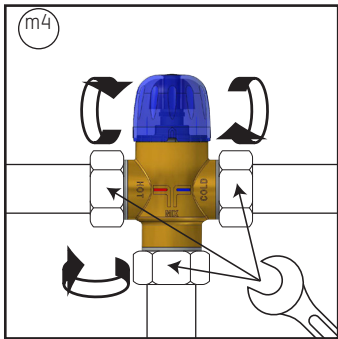
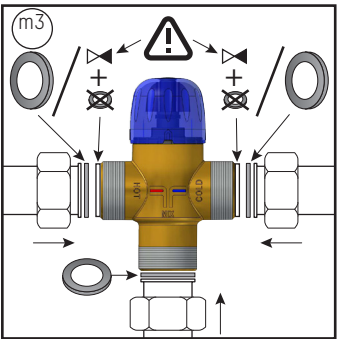
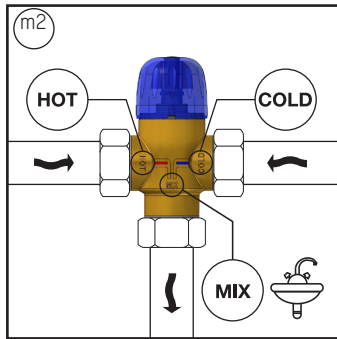
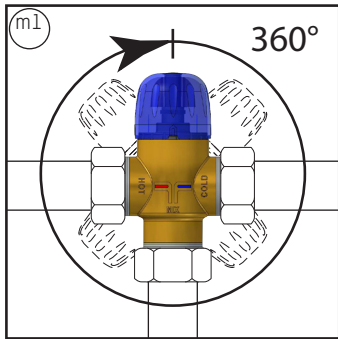
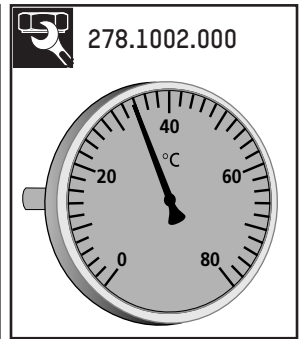


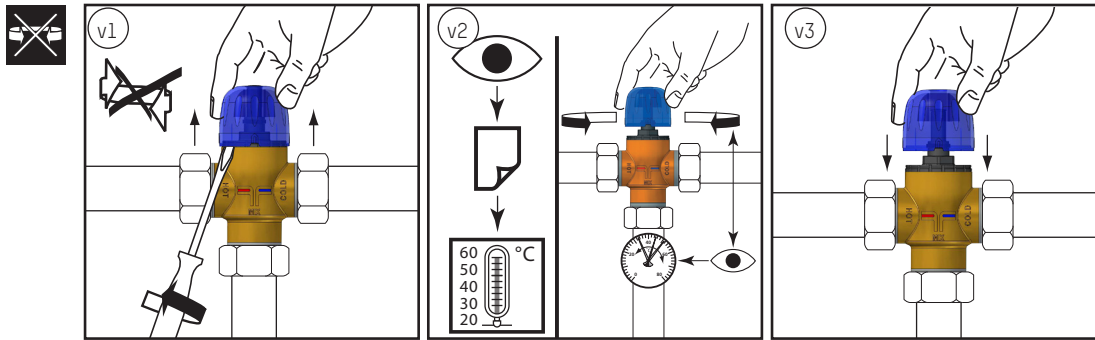
Version 45-65°C (EN 15092)	Version 35-70°C	TB	PB	DN	G	
253.1002.____	253.2002.____	100°C	10 bar	15	3/4"	-
253.1003.____	253.2003.____	100°C	10 bar	20	1"	-
253.1004.____	253.2004.____	100°C	10 bar	25	1 1/2"	-
253.1102.____	253.2102.____	90°C	10 bar	15	3/4"	✓
253.1103.____	253.2103.____	90°C	10 bar	20	1"	✓
253.1104.____	253.2104.____	90°C	10 bar	25	1 1/2"	✓



		D mm
3/4"	-	76
1"	-	77
1 1/4"	-	77
3/4"	✓	81
1"	✓	82
1 1/4"	✓	82



EN15092  
KTW / W270  
TÜV



<p><b>298.5280.000</b> 3/4", 1", 1 1/4"</p>		298.5281.000	45-65°C	3/4"
		298.5282.000	45-65°C	1"
		298.5283.000	45-65°C	1 1/4"
		298.5284.000	35-70°C	3/4"
		298.5284.000	35-70°C	1"
		298.5285.000	35-70°C	1 1/4"

