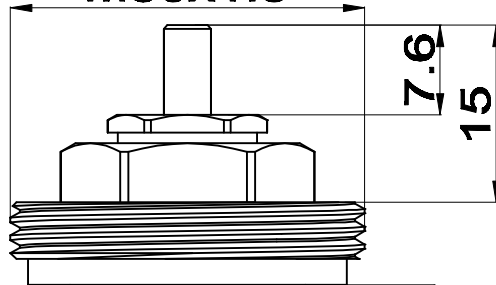
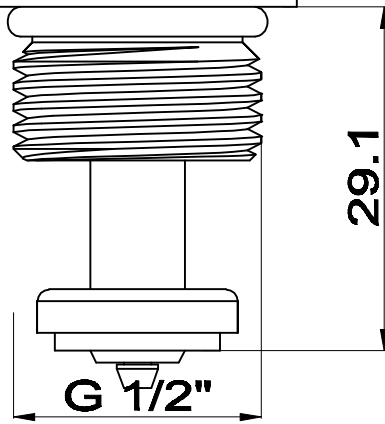


M30x1.5

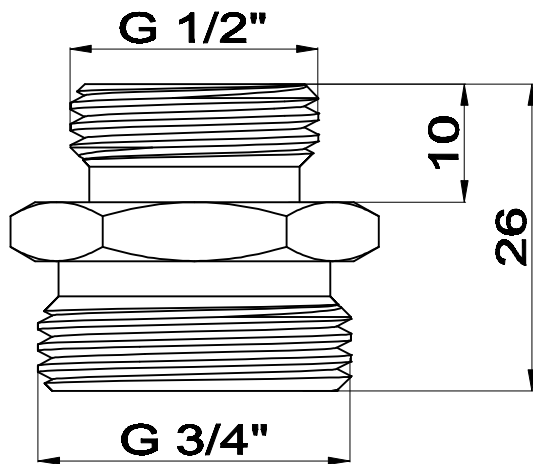


7.6  
15



29.1

G 1/2"



G 1/2"

10

G 3/4"

26

ZL-1128-1/2"-02-00