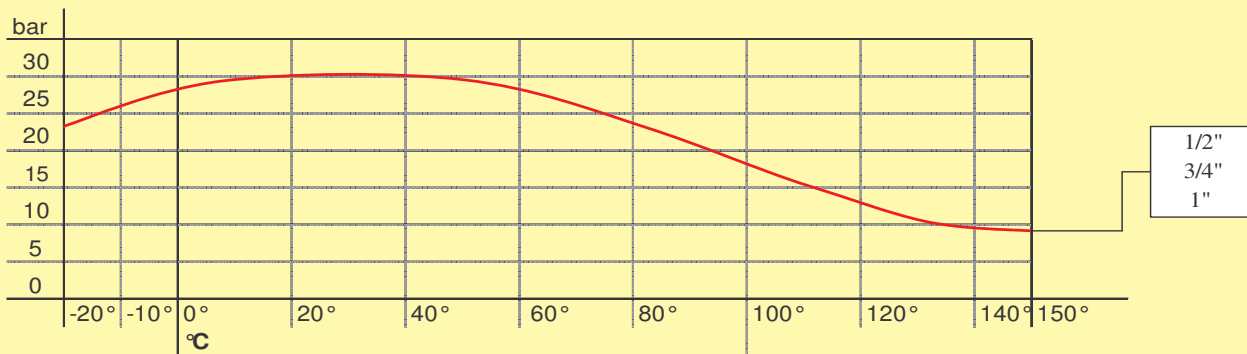


MATERIALS

- | | |
|---|--|
| 1 BODY: Brass CW617N-UNIEN12165 | 8+9 FILTER: Aisi 304 + Nylon |
| 2 END CONNECTION: Brass CW617N-UNIEN12165 | 10 FLAT SEAL: Nbr |
| 3 SEALS: pure PTFE | 11 PLUG: Brass CW614N-UNIEN12164 |
| 4 STEM: Brass CW614N-UNIEN12164 | 12 HANDLE: Zincplated steel, plastic cover |
| 5 BALL: Brass CW617N-UNIEN12165 chrome-plated | 13 NUT: Zincplated steel |
| 6 O-RING: Nbr | |
| 7 O-RING: Fkm | |

TECHNICAL DATA

pressure / temperature



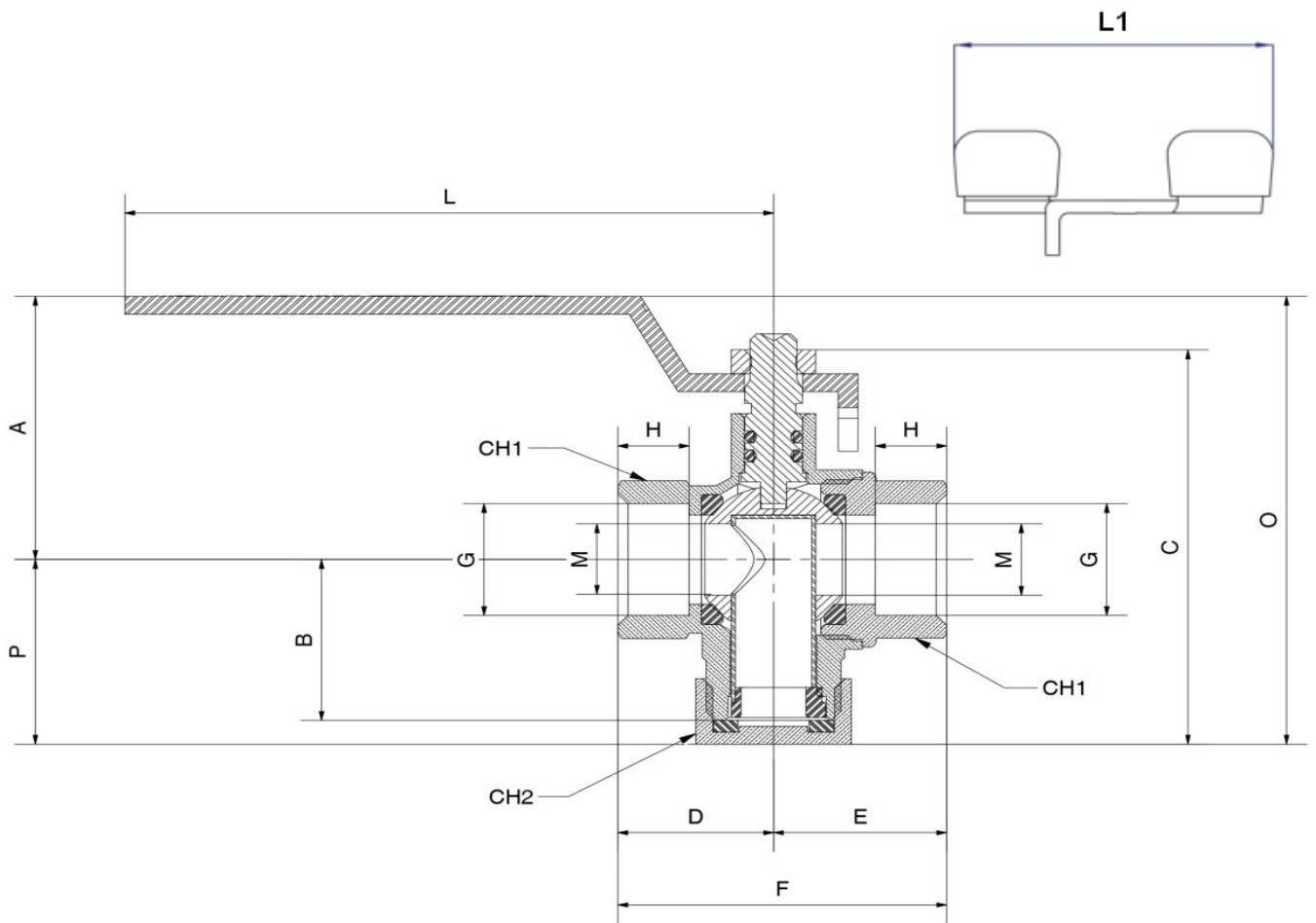
Filtration degree: **500 microns (35 mesh)**

Threads: **UNI ISO 228/1**

Working temperature: **-20° +100°C**
Valve conforming with directive **97/23/EC**

FINAL TEST
conforming with

UNI EN 12266-1 points A3 or A4
For 1, 1/2"-2" sizes: conforming with directive **97/23/EC**



G	A	B	C	D	E	F	H	L	L1	DN M	O	P	CH1 OCT.	CH2 HEX.	PN Max BAR
1/2"	44,2	27	66,2	24	26,7	50,7	11	100	68	12	75,2	31	25	24	30
3/4"	47,4	30,9	73,5	29	32,3	61,3	13	100	68	16	82,5	35,1	31	30	30
1"	50,8	34,5	80,5	34,5	35,6	70,1	15	100	68	20	89,5	38,7	38	38	30
1,1/4"															
1,1/2"															
2"															

CLEANING INSTRUCTION:

- 1 CLOSE THE VALVE
- 2 REMOVE THE PLUG
- 3 REMOVE THE FILTER
- 4 CLEAN THE FILTER
- 5 INSERT THE FILTER
- 6 ASSEMBLE THE PLUG
- 7 OPEN THE VALVE

The valve can be installed in any position: horizontal, vertical, oblique

INSTRUCTIONS: Valve opened: the handle is parallel to the body

Valve closed: the handle is perpendicular to the body

This valve must be employed according to this data sheet instructions. For 1,1/4" and superior sizes, it can't be employed for dangerous fluids: explosive, extremely flammable, highly flammable, flammable (where the maximum allowable temperature is above flashpoint), very toxic, toxic, oxidizing.

Ref. DIRECTIVE 97/23/EC PED

ST 140-141 Rev. 00 12/14