

## 2180 / 2180CP

FULL BORE ANGLE BALL VALVES PN 30 WITH THREADED FEMALE AND TAIL MALE ENDS UNI ISO 228.

AVAILABLE WITH RED OR BLUE ALUMINIUM "T" HANDLE.



**2180**



**2180CP**

### DESCRIPTION

Suitable for domestic and commercial plumbing, industrial and agricultural applications, heating and sanitary systems, pneumatic systems, oils, generally with every non aggressive fluid.

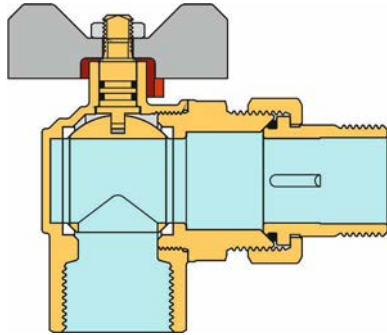
### PRODUCTION RANGE

Art.	Code	Connection unions	Type
2180	212 0008	1/2"	Red T handle
	212 0005	3/4"	
	212 0006	1"	
	212 0051	1/2"	Blue T handle
	212 0036	3/4"	
	212 0037	1"	

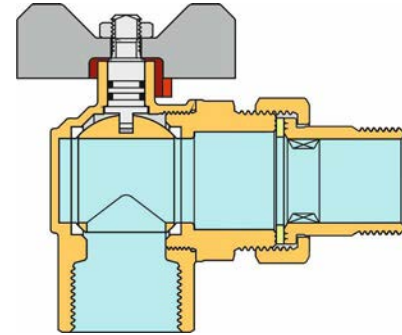
Art.	Code	Connection unions	Type
2180CP	212 0035	1/2"	Red T handle
	212 0034	3/4"	
	212 0016	1"	
	212 0052	1/2"	Blue T handle
	212 0053	3/4"	
	212 0055	1"	

**MANUFACTURING SPECIFICATIONS**

- Body and Sleeve: Brass CW617N nickel finish
- Ball: Brass CW617N chrome plated
- Stem: Brass CW617N
- Tail and nut: Brass CW617N nickel finish
- Side washers: PTFE
- O-rings: Nitrile rubber NBR
- Flat gasket: Fasit 202
- Butterfly: Red/blue painted aluminum
- Nut: Galvanized steel
- Threads: ISO 228



**2180**



**2180CP**

**TECHNICAL SPECIFICATIONS**

- Maximum working temperature: + 110 °C
- Min working temperature: - 20 °C (provided that the fluid remains in liquid phase)
- Maximum working pressure: See dimensional table (PN)
- Compatible fluids: Water, water and glycol solutions (maximum glycol 30%), non-corrosive fluids \*

\* to check compatibility with fluids or other substances not listed, contact Tiemme technical office.

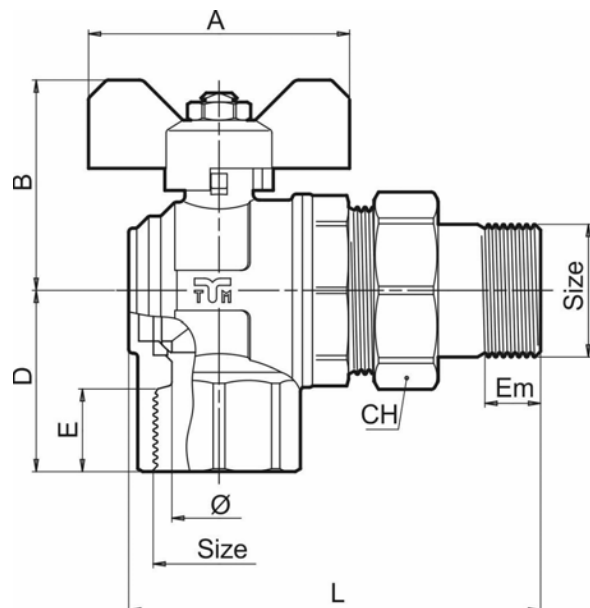
**DIMENSIONAL SPECIFICATIONS**

**2180-2180CP**

Dimensions en mm.

Art.	2120008	2120005	2120006
<b>2180</b>	<b>2120051</b>	<b>2120036</b>	<b>2120037</b>
Art.	2120035	2120034	2120016
<b>2180CP</b>	<b>2120052</b>	<b>2120053</b>	<b>2120055</b>
Size	½"	¾"	1"
Ø (DN)	15	20	25
A	50	65	65
B	40	48	52,5
CH	32,5	37	46
D	32,5	37	45
E	16,5	18	20,5
Em	10	12	14
L	73,5	83	102,5
PN	30	30	30
PN *	20	20	20

\*pneumatic system



## HYDRAULIC SPECIFICATIONS

Diagram 1: Flow/pressure drop.

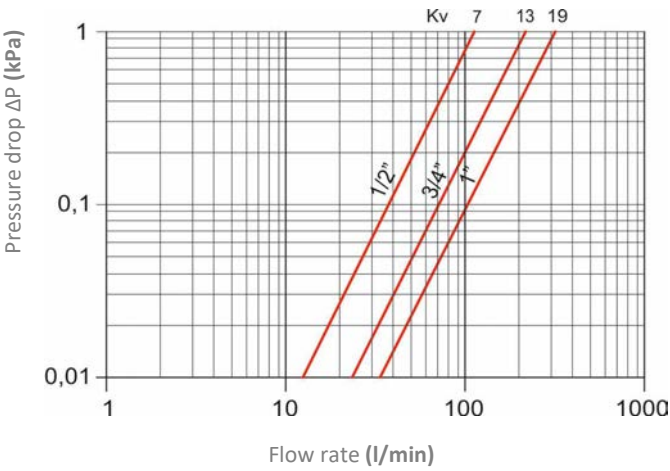
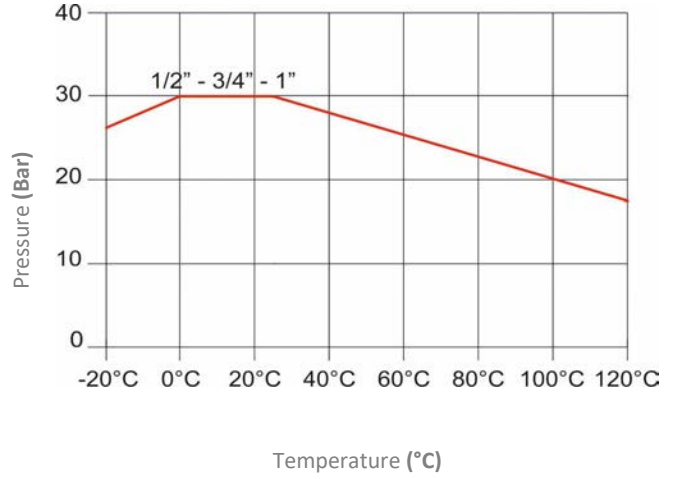


Diagram 2: Pressure/temperature.



## INSTALLATION

- The valves can be installed in any position (orizental, vertical, ...) provided that shall be placed in visible and accessible position and the open/close operations shall be easily and completely done.
  - Otherwise stated to close the valve the handle shall be turned clockwise, counterclockwise to open it.
  - Otherwise stated by specific marks on the valve body (arrows,...) there is no valve flow direction.
  - The system shall be designed and realised in order to avoid any stress that could damage the valve and could compromise the sealing and the correct working of the valve.
  - All installation operations shall be done using properly tooling. The tightenings shall be such as to guarantee the sealing but without make any damage to the valve or fittings.
  - Once the installation have been completed is necessary to verify the sealings according to technical specifications and/or what required by the country of installation.
  - The valve should not be kept in intermediate position for a long period of time in order to avoid any damages of the valve sealings.
  - If the valve have not been used for a long period of time it may be difficult to operate therefore it will be necessary to use a "long lever".
  - To kept the valve and sealings in good conditions it is suggested to place a filter upstream in order to stop impurity.
- For any further information please contact the authorized dealers or directly TIEMME RACCORDERIE S.p.A.

*TIEMME RACCORDERIE S.p.A. declines all responsibility in case of failures and/or accidents resulting from the non-compliance with these indications and from improper use of the system. The information given does not exempt the user from following the regulations and good technical regulations in force.*

## CERTIFICATIONS



## CERTIFICATIONS



