

3600

“YACHT”

CHECK VALVE WITH POLYAMIDE SHUTTER AND FILTER



DESCRIPTION

The YACHT check valve with filter is mainly used in the water withdrawal circuits to keep the pump in primed condition.

The filter cartridge ensures a correct suction of the water, limiting the passage of sludge and sediment.

The valve has to be installed in a **vertical position, with the filter facing downwards**, to allow the flow only in an ascending direction.

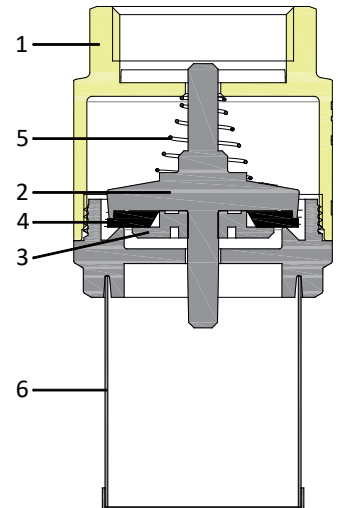
It adapts to be installed at the beginning of the pump suction line (wells, tanks, collection tanks, agricultural plants, etc.).

PRODUCTION RANGE

Art.	Code	Connections	DN	PN (bar)
3600	350 0053	G 1/2" (ISO 228)	15	12
	350 0037	G 3/4" (ISO 228)	20	12
	350 0012	G 1" (ISO 228)	25	12
	350 0027	G 1 1/4" (ISO 228)	32	10
	350 0039	G 1 1/2" (ISO 228)	40	10
	350 0040	G 2" (ISO 228)	50	10
	350 0057	G 2 1/2" (ISO 228)	65	8
	350 0059	G 3" (ISO 228)	80	8
	350 0065	G 4" (ISO 228)	100	8

MANUFACTURING FEATURES

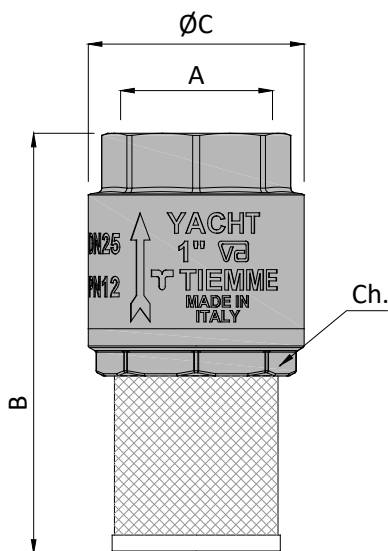
- (1) Body: CW617N Brass
- (2) Shutter: PA
- (3) Seal press: PA
- (4) Seal: NBR
- (5) Spring: AISI 302 stainless steel
- (6) Filter: AISI 304 stainless steel + PA-GF
- Threads: ISO 228



TECHNICAL FEATURES

- Maximum operating temperature: + 100 °C
- Minimum operating temperature: - 20 °C (provided the fluid remains in the liquid phase)
- Maximum operating pressure: 12 bar (1/2" ÷ 1") - 10 bar (1"1/4 ÷ 2") - 8 bar (2"1/2 ÷ 4")
- Filtration degree of filtering mesh: 1000 µm

DIMENSIONAL CHARACTERISTICS

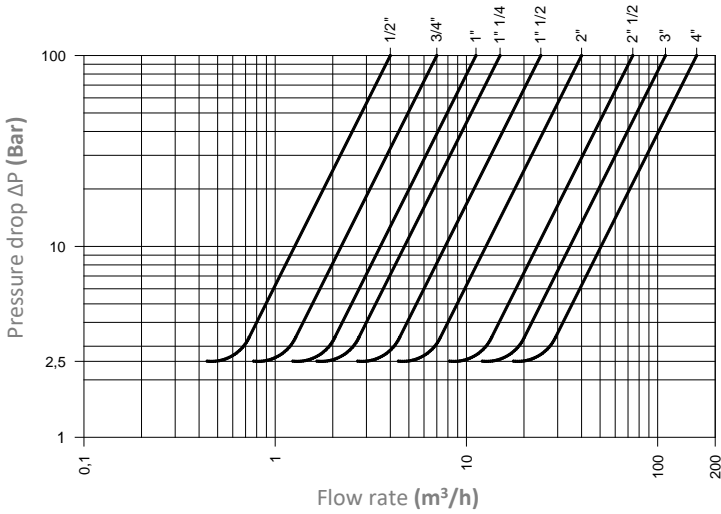


Art.	Code	DN	A	B	ØC	Ch.
3600	350 0053	15	G 1/2" F	69.5	34.5	26
	350 0037	20	G 3/4" F	85.5	41.5	32
	350 0012	25	G 1" F	92.5	47.5	39
	350 0027	32	G 1"1/4 F	109	60	47
	350 0039	40	G 1"1/2 F	116.5	70.5	55
	350 0040	50	G 2" F	137	86.5	66
	350 0057	65	G 2"1/2 F	178	101.5	83
	350 0059	80	G 3" F	201	124	96
	350 0065	100	G 4" F	213	155	123

Dimensions in mm.

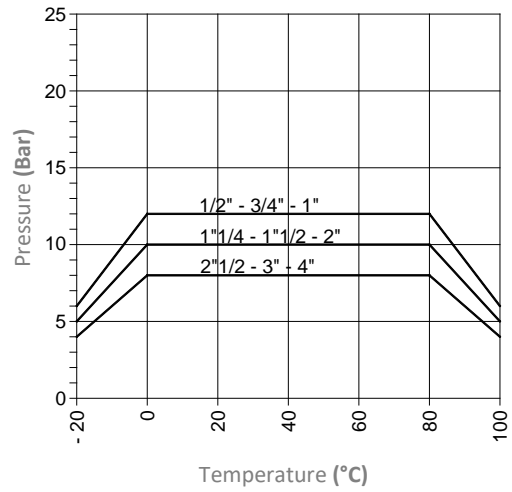
HYDRAULIC CHARACTERISTICS

Diagram 1: Flow rate/pressure drop.



Measurement	Kv (m³/h)
1/2"	4.44
3/4"	7.35
1"	11.66
1"1/4	16.89
1"1/2	24.58
2"	39.78
2"1/2	75.90
3"	109.85
4"	158.90

Diagram 2: Pressure/temperature.



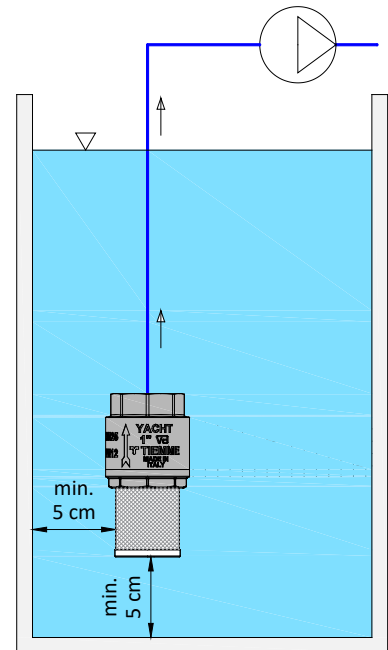
INSTALLATION

- The YACHT valve with filter has to be installed at the beginning of the suction line, in a vertical position, with the filter facing downwards.
- It is recommended to position the valve at least 5 cm away from the walls in order to avoid excessive suction efforts and more frequent filter clogging.

OPERATION / MAINTENANCE CHECK

- Check the device is free of corrosion or deterioration.
- Clean the filter.

TIEMME RACCORDERIE SpA declines all responsibility in the event of failures and / or accidents deriving from failure to comply with these indications and from improper use of the system. The information shown does not exempt the user from scrupulously following the regulations and standards of good technique in force.



ITEM SPECIFICATION

Art. 3600

Check valve with polyamide shutter and filter made of: CW617N brass body, PA shutter, PA seal presses, NBR seal, AISI 302 stainless steel spring, AISI 304 stainless steel + PA-GF filter, ISO 228 threads.

Maximum operating temperature: + 100 ° C. Minimum operating temperature: -20 ° C (provided the fluid remains in the liquid phase).

Maximum operating pressure: 12 bar (1/2" ÷ 1"), 10 bar (1"1/4 ÷ 2"), 8 bar (2"1/2 ÷ 4"). Filtration degree of filtering mesh: 1000 µm

Production range: Connections G 1/2 " ÷ G 4".

CERTIFICATIONS

