

1557SET

Brass pump female connection kit



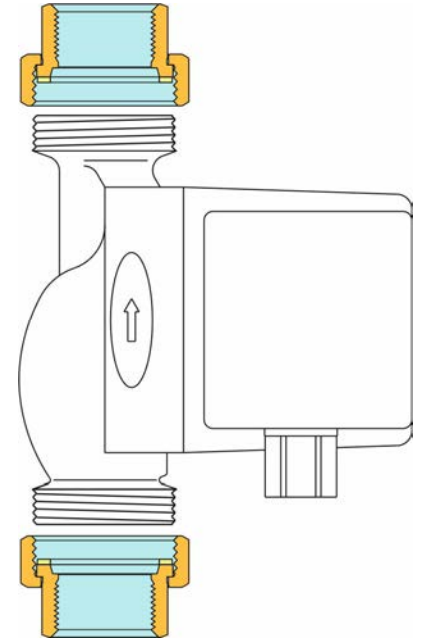
The brass generic fittings are suitable for domestic and commercial plumbing, industrial, agricultural application and generally with every non aggressive fluid.

TECHNICAL SPECIFICATIONS

- Maximum temperature: 180 °C
- Minimum temperature: - 20°C (provided that the fluid remains in the liquid phase)
- Maximum operating pressure: 30 bar
- Threads: female UNI ISO 228

CONSTRUCTION SPECIFICATIONS

- Body : EN12165 brass
- Nut : EN12165 brass
- Flat washer : FASIT 202



PRODUCTION RANGE

Art.	Code		Finishing
1557SET	1500906	1/2" X 1"	-
	1500839	3/4" X 1"1/4	-
	1500355	1" X 1"1/2	-
	1500440	1"1/4 X 2"	-

CERTIFICATIONS



CERTIFICATIONS

