

2183R

FULL BORE ANGLE BALL VALVES PN 30 WITH THREADED FEMALE AND TAIL MALE ENDS UNI ISO 228 WITH O-RING.

AVAILABLE WITH RED OR BLUE ALUMINIUM "T" HANDLE.



PATENTED

DESCRIPTION

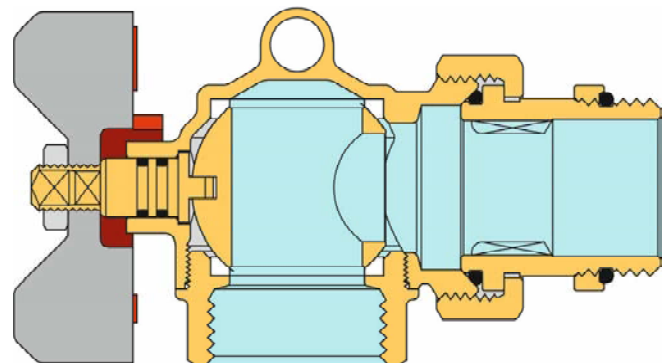
Suitable for domestic and commercial plumbing, industrial and agricultural applications, heating and sanitary systems, pneumatic systems, oils, generally with every non aggressive fluid.

PRODUCTION RANGE

Art.	Code	Connection unions	Type
2183R	212 0031	1"	Red T handle
	212 0032	1"	Blue T handle

MANUFACTURING SPECIFICATIONS

- Body and Sleeve: Brass CW617N nickel finish
- Ball: Brass CW617N chrome plated
- Stem: Brass CW617N
- Tail and nut: Brass CW617N nickel finish
- O-rings: Nitrile rubber NBR
- Side washers: PTFE
- Butterfly: Red/blue painted aluminum
- Nut: Galvanized steel
- Threads: ISO 228



TECHNICAL SPECIFICATIONS

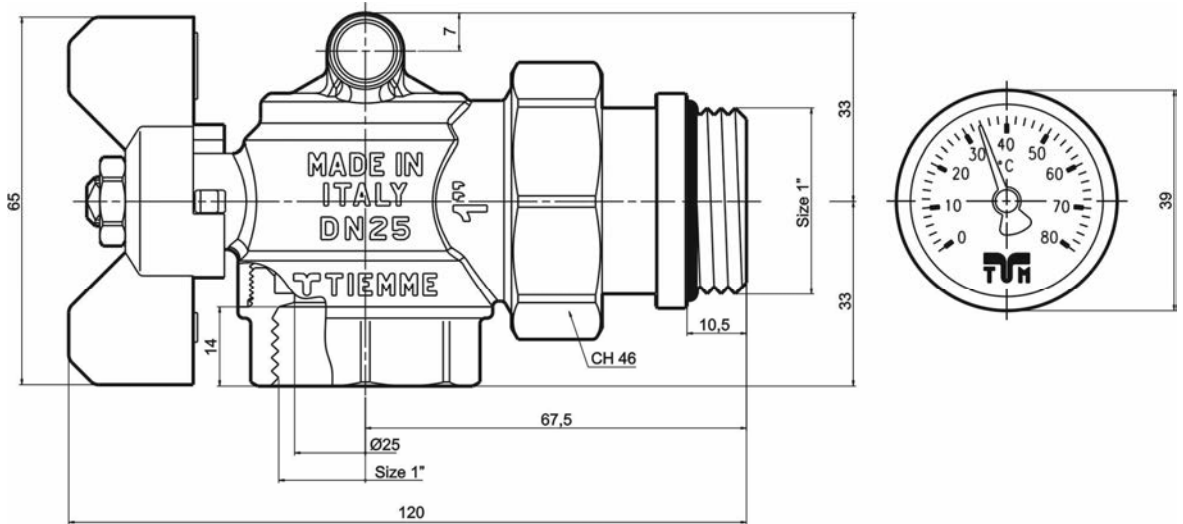
- Maximum working temperature: + 110 °C
- Min working temperature: - 20 °C (provided that the fluid remains in liquid phase)
- Maximum working pressure: PN 30 bar (20 bar with pneumatic systems)
- Compatible fluids: Water, water and glycol solutions (maximum glycol 30%), non-corrosive fluids *

* to check compatibility with fluids or other substances not listed, contact Tiemme technical office.

DIMENSIONAL SPECIFICATIONS

2183R

Dimensions en mm.



HYDRAULIC SPECIFICATIONS

Diagram 1: Flow/pressure drop.

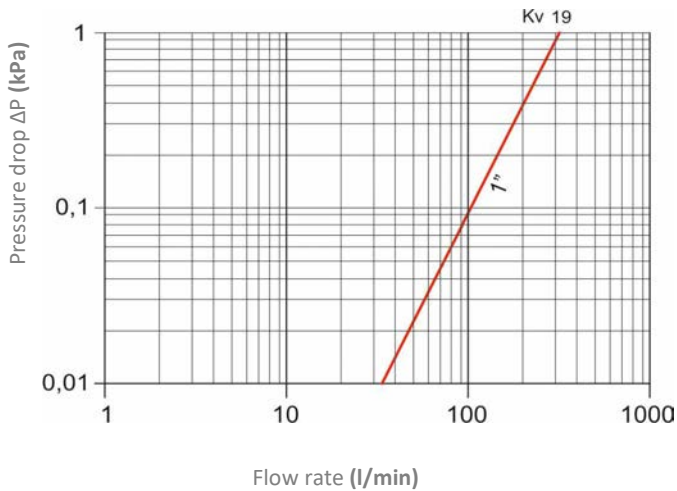
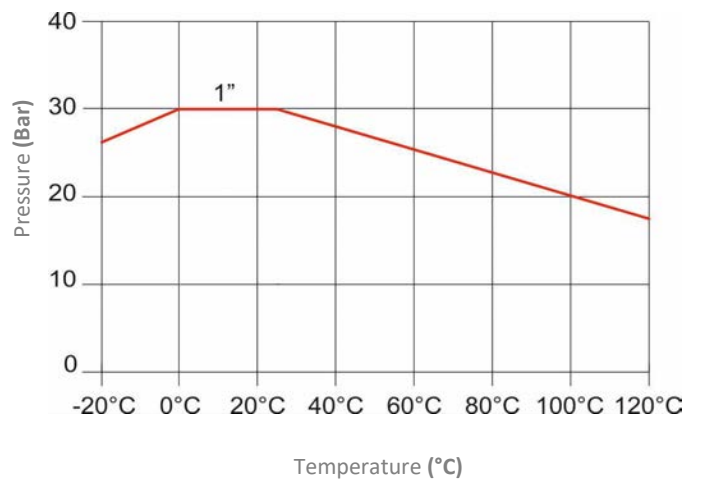


Diagram 2: Pressure/temperature.



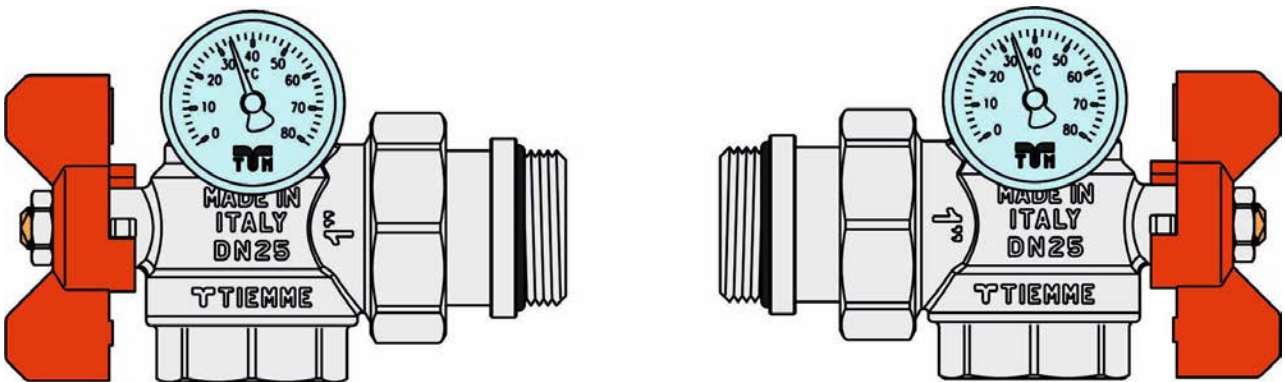
INSTALLATION

- The valves can be installed in any position (orizental, vertical, ...) provided that shall be placed in visible and accessible position and the open/close operations shall be easily and completely done.
- Otherwise stated to close the valve the handle shall be turned clockwise, counterclockwise to open it.
- Otherwise stated by specific marks on the valve body (arrows,...) there is no valve flow direction.
- The system shall be designed and realised in order to avoid any stress that could damage the valve and could compromise the sealing and the correct working of the valve.
- All installation operations shall be done using properly tooling. The tightenings shall be such as to garante the sealing but without make any damage to the valve or fittings.
- Once the installation have been completed is necessary to verify the sealings according to technical specifications and/or what required by the country of installation.
- The valve should not be kept in intermediate position for a long period of time in order to avoid any damages of the valve sealings.
- If the valve have not been used for a long period of time it may be diffucult to operate therefore it will be necessary to use a "long lever".
- To kept the valve and sealings in good conditions it is suggested to place a filter upstream in order to stop impurity.

- For any further information please contact the authorized dealers or directly TIEMME RACCORDERIE S.p.A.

TIEMME RACCORDERIE S.p.A. declines all responsibility in case of failures and/or accidents resulting from the non-compliance with these indications and from improper use of the system. The information given does not exempt the user from following the regulations and good technical regulations in force.

Thermometer with reversible connection



CERTIFICATIONS



CERTIFICATIONS

