

1557CP

3 pieces straight fittings with
PLAIN END



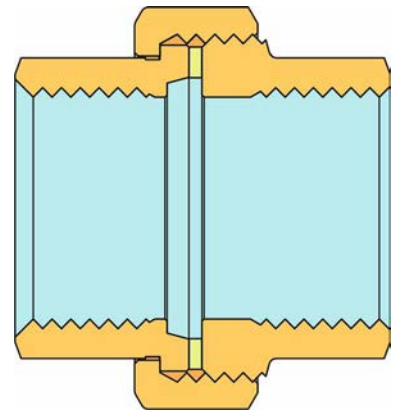
The brass generic fittings are suitable for domestic and commercial plumbing, industrial, agricultural application and generally with every non aggressive fluid.

TECHNICAL SPECIFICATIONS

- Maximum temperature: 180 °C
- Minimum temperature: - 20°C (provided that the fluid remains in the liquid phase)
- Maximum operating pressure: 30 bar
- Threads: female UNI ISO 228

CONSTRUCTION SPECIFICATIONS

- Body : EN12165 brass
- Nut : EN12165 brass
- Flat washer : FASIT 202



PRODUCTION RANGE

Art.	Code		Finishing
1557CP	1500358	1/2"X1/2"	-
	1500383	3/4"X3/4"	-
	1500403	1"X1"	-

CERTIFICATIONS



CERTIFICATIONS



1557CP.W_Rev.C_10/2022 - TIEMME RACCORDERIE S.p.A. reserves the right to make changes at any time without notice. No form of reproduction is permitted, unless authorised