

1555SET

Brass pump connection kit with
M connection with flat end



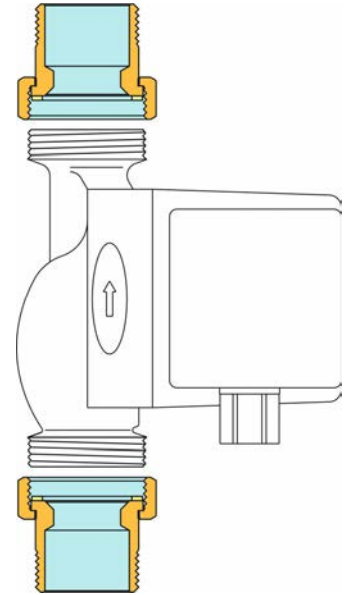
The brass generic fittings are suitable for domestic and commercial plumbing, industrial, agricultural application and generally with every non aggressive fluid.

TECHNICAL SPECIFICATIONS

Maximum temperature: 180 °C
 Minimum temperature: - 20°C (provided that the fluid remains in the liquid phase)
 Maximum operating pressure: 30 bar
 Threads: male UNI ISO 228
 female UNI ISO 228

CONSTRUCTION SPECIFICATIONS

Body : EN12165 brass
 Nut : EN12165 brass
 Flat washer : FASIT 202



PRODUCTION RANGE

Art.	Code		Finishing
1555SET	1500825	3/4"X1/2"	-
	1500826	1"X3/4"	-
	1500827	1"1/4X1"	-
	1500578	1"1/2X1"1/4	-

CERTIFICATIONS



CERTIFICATIONS

