

## 3506SUN

### “EUROSTOP”

## CHECK VALVE WITH METALLIC SHUTTER FOR SOLAR SYSTEMS



#### DESCRIPTION

Once installed in the hydraulic circuit, the EUROSTOP valve allows the circulation of fluid in the direction established by the check device only and prevents the fluid from flowing in the opposite direction.

The spring shutter rises, opening the valve at a pressure of about 25 mbar.

It adapts to any type of heating/cooling and plumbing system, with application in residential, commercial, industrial and agricultural sectors.

**This series of check valve is characterized by its resistance to high temperatures in continuous operation.**

#### ADVANTAGES / STRENGTHS

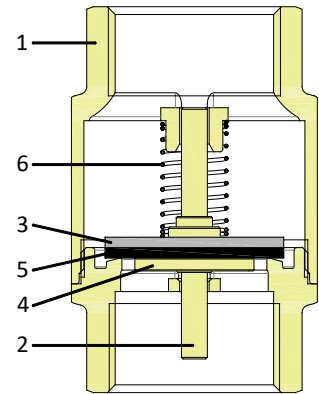
- Guarantees perfect hydraulic sealing against even slight pressure variations in the circuit.
- Metallic shutter.
- Can be installed in horizontal and vertical positions.
- Application in solar systems: resistant to high temperatures in continuous operation.

#### PRODUCTION RANGE

Art.	Code	Connections	DN	PN (bar)
3506SUN	472 0082	G 1/2" (ISO 228)	15	25
	472 0083	G 3/4" (ISO 228)	20	25
	472 0084	G 1" (ISO 228)	25	25
	472 0085	G 1"1/4 (ISO 228)	32	18
	472 0086	G 1"1/2 (ISO 228)	40	18
	472 0087	G 2" (ISO 228)	50	18

### CONSTRUCTION SPECIFICATIONS

- (1) Body: CW617N brass
- (2) Pin: CW617N brass
- (3) Flange: AISI 304 stainless steel
- (4) Seal presses: CW617N brass
- (5) Seal: FKM
- (6) Spring: AISI 302 stainless steel
- Threads: ISO 228

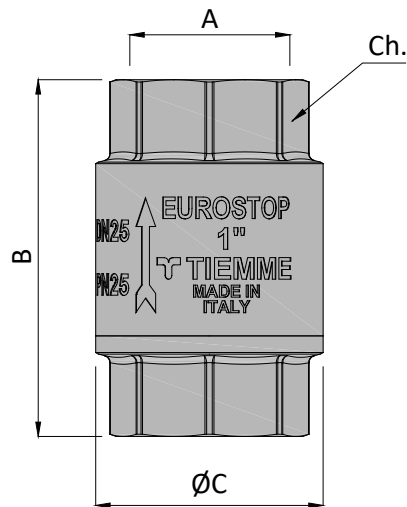


### TECHNICAL SPECIFICATIONS

- Maximum working temperature: + 180 °C
- Minimum working temperature: -20 °C (provided the fluid remains in the liquid phase)
- Maximum working pressure: 25 bar (1/2" ÷ 1") - 18 bar (1"1/4 ÷ 2")
- Minimum opening pressure: 25 mbar
- Fluid compatibility: Drinking water, water and glycol solutions (maximum glycol percentage 30%), oils, petroleum products, non corrosive fluids \*

\* To check compatibility with fluids or other substances not listed, contact the Tiemme Technical Department.

### DIMENSIONAL SPECIFICATIONS

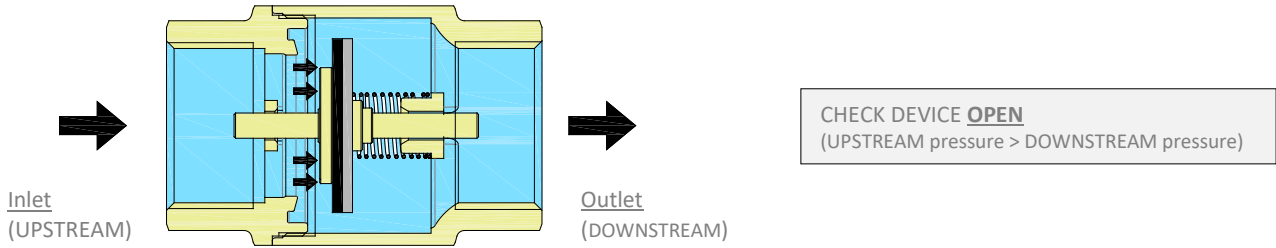


Art.	Code	DN	A	B	ØC	Ch.
3506SUN	472 0082	15	G 1/2" F	58.5	34.5	26
	472 0083	20	G 3/4" F	65	41.5	32
	472 0084	25	G 1" F	74.5	47.5	39
	472 0085	32	G 1"1/4 F	83	60	49
	472 0086	40	G 1"1/2 F	93	70.5	55
	472 0087	50	G 2" F	101	86.5	69

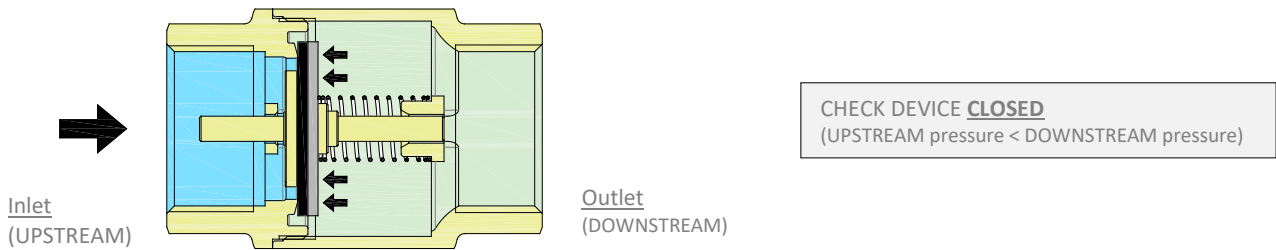
Dimensions in mm

## OPERATION

In normal circuit operating conditions (**UPSTREAM pressure > DOWNSTREAM pressure**), the flow passing through the valve opens the spring shutter, to guarantee the passage of water.

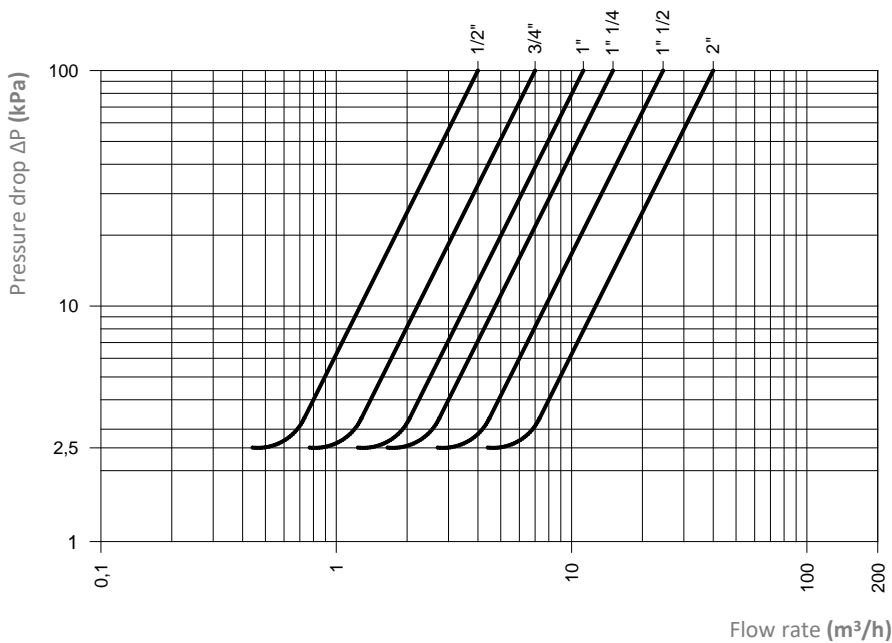


Otherwise, when these conditions are no longer present (**UPSTREAM pressure < DOWNSTREAM pressure**), the pressure generated by the fluid contained in the downstream pipe section closes the spring shutter, preventing the return of the fluid.



## HYDRAULIC SPECIFICATIONS

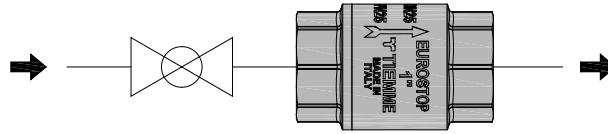
Diagram 1: Flow rate/pressure drop.



Measurement	Kv (m <sup>3</sup> /h)
G 1/2"	4.38
G 3/4"	7.27
G 1"	11.52
G 1 1/4"	16.45
G 1 1/2"	24.37
G 2"	39.66

## INSTALLATION

- Provide a ball shut-off valve upstream of the check valve.



- The valve can be installed either in a **horizontal** or **vertical** position.

- Remove any impurities in the pipe before installing the valve. It is good practice to provide a filter upstream of the check valve.

- Respect the flow direction indicated by the arrow printed on the valve body.



*TIEMME RACCORDERIE S.p.A. will not be held responsible for any failures and/or accidents resulting from failure to comply with these instructions and/or from improper use of the system. The information given does not exempt the user from scrupulously following the regulations and good technical standards that are currently in force.*

## ITEM SPECIFICATIONS

### Art. 3506SUN

Check valve with metal shutter for solar systems made of: CW617N brass body, CW617N brass pin, AISI 304 stainless steel flange, CW617N brass seal presses, FKM seal, AISI 302 stainless steel spring, ISO 228 threads.

Maximum working temperature: + 180 °C. Minimum working temperature: - 20 °C (provided that the fluid remains in the liquid phase).

Maximum working pressure: 25 bar (1/2" ÷ 1"), 18 bar (1"1/4 ÷ 2"). Minimum opening pressure 25 mbar.

Fluid compatibility: Drinking water, water and glycol solutions (maximum percentage of glycol 30%), oils, petroleum products, non-corrosive fluids.

Production range: Connection fittings G 1/2" ÷ G 2".

## CERTIFICATIONS

