

TECHNICAL CATALOGUE

# DIAPHRAGM SAFETY RELIEF VALVES

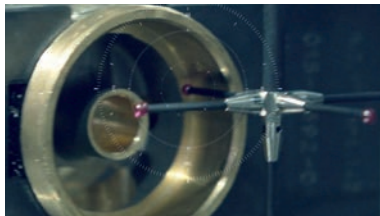
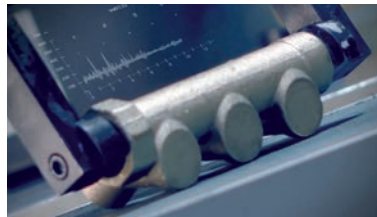
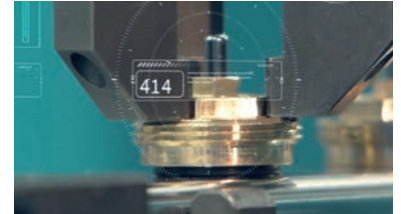
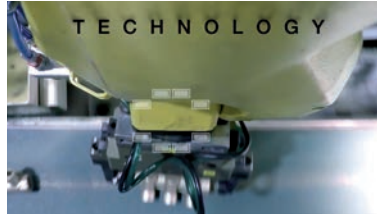


## > THE COMPANY

ITAP SpA, founded in Lumezzane (Brescia) in 1972, is currently one of the leading production companies in Italy of **valves, fittings and distribution manifolds** for plumbing and heating systems.

Thanks to fully automated production processes, with 85 transfer machines and 55 assembly lines, we are able to produce 400,000 pieces per day.

Our innate pursuit for innovation and observance of technical regulations is supported by the company certification ISO 9001. The company has always considered its focus on quality as the main tool to obtain significant business results: today ITAP SpA is proud to offer products bearing the approval of numerous international certifying bodies.



> ITAP products have obtained approvals by more than 30 certification bodies from all over the world.





# DIAPHRAGM SAFETY RELIEF VALVES

## 368 Diaphragm safety relief valve, female/female thread



### 368 1/2"x1/2"

SIZE	PRESSURE	CODE	PACKING
1/2" (DN 15)	1.5	368001215	10/150
1/2" (DN 15)	1.8	368001218	10/150
1/2" (DN 15)	2.5	368001225	10/150
1/2" (DN 15)	3	368001230	10/150
1/2" (DN 15)	4	368001240	10/150
1/2" (DN 15)	6	368001260	10/150

### 368 3/4"x3/4"

SIZE	PRESSURE	CODE	PACKING
3/4" (DN 20)	1.5	368003415	10/150
3/4" (DN 20)	1.8	368003418	10/150
3/4" (DN 20)	2.5	368003425	10/150
3/4" (DN 20)	3	368003430	10/150
3/4" (DN 20)	4	368003440	10/150
3/4" (DN 20)	6	368003460	10/150

### 368 1"x1"

SIZE	PRESSURE	CODE	PACKING
1" (DN 25)	1.5	368010015	10/80
1" (DN 25)	1.8	368010018	10/80
1" (DN 25)	2.5	368010025	10/80
1" (DN 25)	3	368010030	10/80
1" (DN 25)	4	368010040	10/80
1" (DN 25)	6	368010060	10/80

### CERTIFICATIONS



### TECHNICAL SPECIFICATIONS

Body in nickel-plated brass.

Diaphragm: EPDM.

Spring: stainless steel.

Nominal pressure: 10 bar.

Working temperatures: 5°C - 110°C.

Opening overpressure: 20%.

Closing differential: 20%.

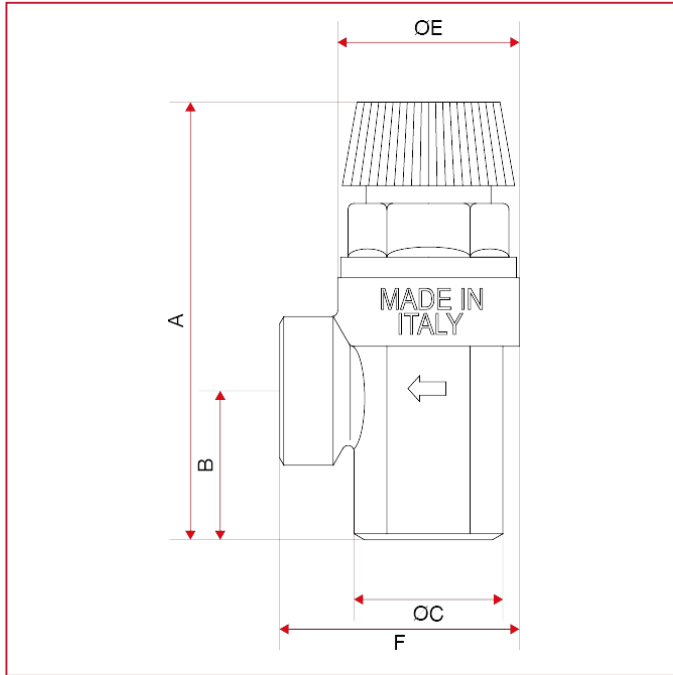
Available settings: 1,5 - 1,8 - 2,5 - 3 - 4 - 6 bar.

Threads: ISO 228 (equivalent to DIN EN ISO 228 and BS EN ISO 228).



# DIAPHRAGM SAFETY RELIEF VALVES

## OVERALL DIMENSIONS



### 368 1/2"x1/2"

	1/2"	1/2"	1/2"	1/2"	1/2"	1/2"
A	70	70	70	70	70	70
B	26	26	26	26	26	26
C	25,5	25,5	25,5	25,5	25,5	25,5
E	31,5	31,5	31,5	31,5	31,5	31,5
F	41,5	41,5	41,5	41,5	41,5	41,5

### 368 3/4"x3/4"

	3/4"	3/4"	3/4"	3/4"	3/4"	3/4"
A	75	75	75	75	75	75
B	26	26	26	26	26	26
C	32,5	32,5	32,5	32,5	32,5	32,5
E	31,5	31,5	31,5	31,5	31,5	31,5
F	47,5	47,5	47,5	47,5	47,5	47,5

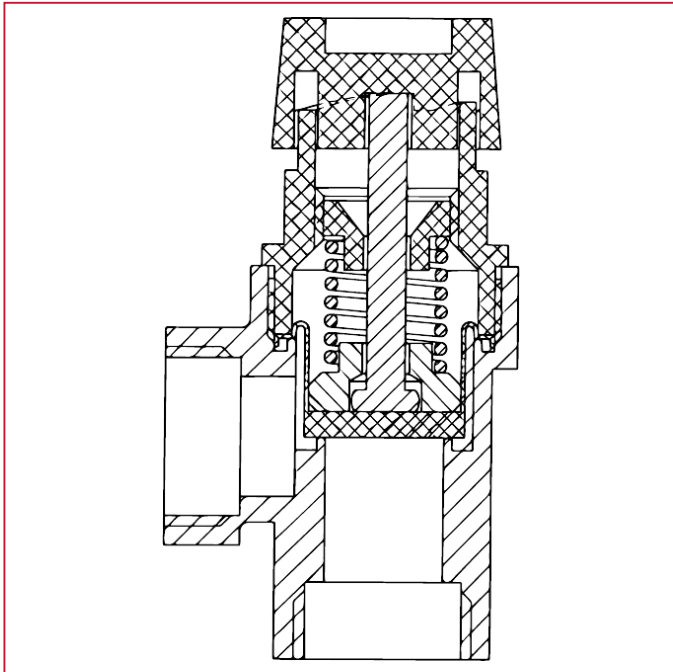
### 368 1"x1"

	1"	1"	1"	1"	1"	1"
A	85	85	85	85	85	85
B	32	32	32	32	32	32
C	38	38	38	38	38	38
E	38,5	38,5	38,5	38,5	38,5	38,5
F	54	54	54	54	54	54



# DIAPHRAGM SAFETY RELIEF VALVES

## MATERIALS



POS.	DESCRIPTION	N.	MATERIAL
1	Body	-	Brass
2	Stem	-	HAIPLÉN H50
3	Spring	-	Stainless steel
4	Plate	-	HAIPLÉN H50
5	Handle	-	HAIPLÉN H50
6	Threaded washer	-	Acetal resin
7	Spring stop	-	Nylon
8	Washer	-	Fiber
9	Cylinder	-	EPDM
10	Plate	-	Brass



# DIAPHRAGM SAFETY RELIEF VALVES

## 369 Diaphragm safety relief valve, male/female thread



### 369 1/2"x1/2"

SIZE	PRESSURE	CODE	PACKING
1/2" (DN 15)	1.5	369001215	10/150
1/2" (DN 15)	1.8	369001218	10/150
1/2" (DN 15)	2.5	369001225	10/150
1/2" (DN 15)	3	369001230	10/150
1/2" (DN 15)	4	369001240	10/150
1/2" (DN 15)	6	369001260	10/150

### CERTIFICATIONS



### TECHNICAL SPECIFICATIONS

Body in nickel-plated brass.

Diaphragm: EPDM.

Spring: stainless steel.

Nominal pressure: 10 bar.

Working temperatures: 5°C - 110°C.

Opening overpressure: 20%.

Closing differential: 20%.

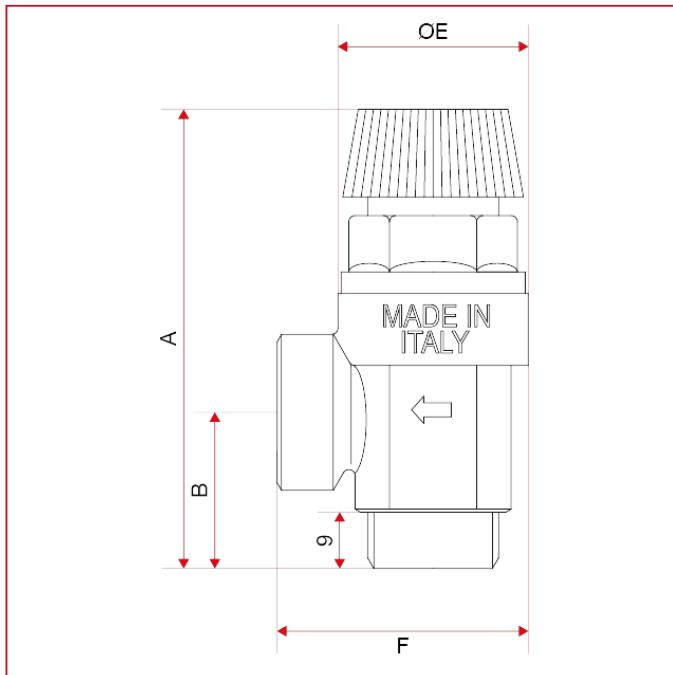
Available settings: 1,5 - 1,8 - 2,5 - 3 - 4 - 6 bar.

Threads: ISO 228 (equivalent to DIN EN ISO 228 and BS EN ISO 228).



# DIAPHRAGM SAFETY RELIEF VALVES

## OVERALL DIMENSIONS



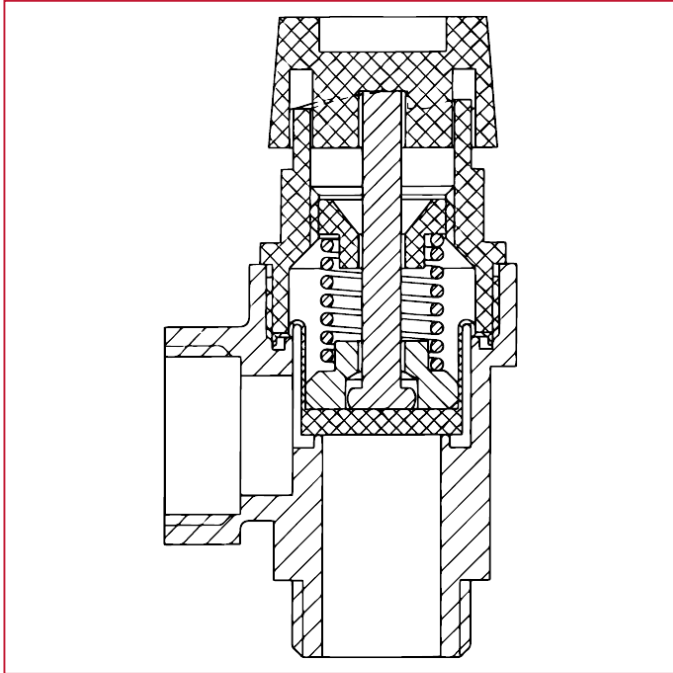
### 369 1/2"x1/2"

	1/2"	1/2"	1/2"	1/2"	1/2"	1/2"
A	72	72	72	72	72	72
B	26	26	26	26	26	26
E	31,5	31,5	31,5	31,5	31,5	31,5
F	41,5	41,5	41,5	41,5	41,5	41,5



# DIAPHRAGM SAFETY RELIEF VALVES

## MATERIALS



POS.	DESCRIPTION	N.	MATERIAL
1	Body	-	Brass
2	Stem	-	HAIPLÉN H50
3	Spring	-	Stainless steel
4	Plate	-	HAIPLÉN H50
5	Handle	-	HAIPLÉN H50
6	Threaded washer	-	Acetal resin
7	Spring stop	-	Nylon
8	Washer	-	Fiber
9	Cylinder	-	EPDM
10	Plate	-	Brass





# DIAPHRAGM SAFETY RELIEF VALVES

## 368M Diaphragm safety relief valve with pressure gauge connection, female/female thread



### 368M 1/2"x1/2", gauge connection 1/4"

SIZE	PRESSURE	CODE	PACKING
1/2" (DN 15)	1.5	368001215M	10/150
1/2" (DN 15)	1.8	368001218M	10/150
1/2" (DN 15)	2.5	368001225M	10/150
1/2" (DN 15)	3	368001230M	10/150
1/2" (DN 15)	4	368001240M	10/150
1/2" (DN 15)	6	368001260M	10/150

### CERTIFICATIONS



### TECHNICAL SPECIFICATIONS

Body in nickel-plated brass.

Diaphragm: EPDM.

Spring: stainless steel.

Nominal pressure: 10 bar.

Working temperatures: 5°C - 110°C.

Opening overpressure: 20%.

Closing differential: 20%.

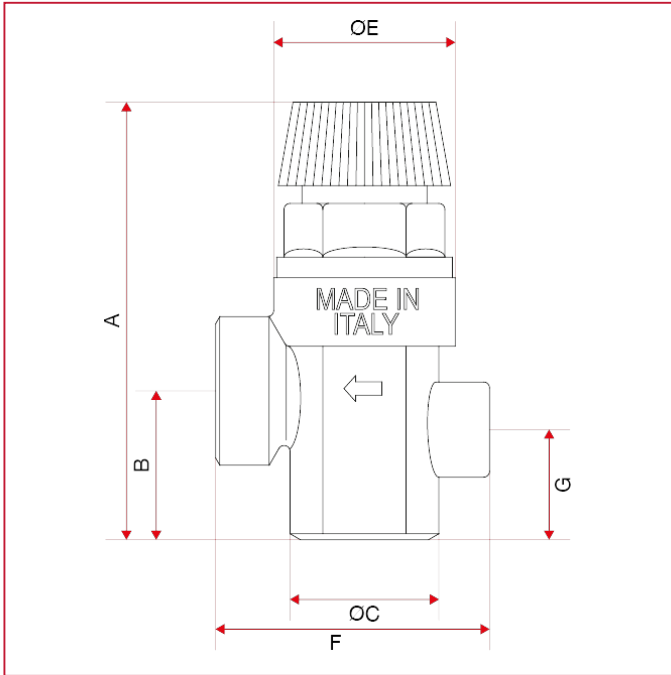
Available settings: 1,5 - 1,8 - 2,5 - 3 - 4 - 6 bar.

Threads: ISO 228 (equivalent to DIN EN ISO 228 and BS EN ISO 228).



# DIAPHRAGM SAFETY RELIEF VALVES

## OVERALL DIMENSIONS



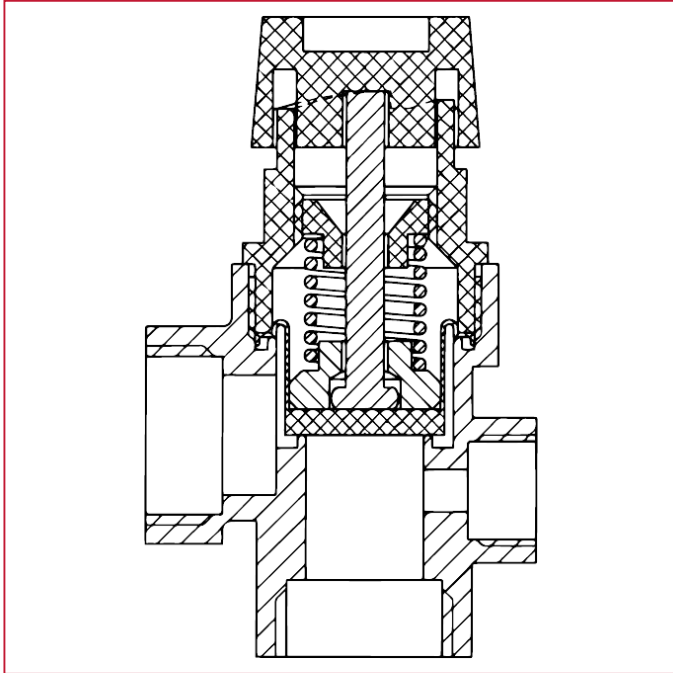
### 368M 1/2"x1/2", gauge connection 1/4"

	1/2"	1/2"	1/2"	1/2"	1/2"	1/2"
A	74,5	74,5	74,5	74,5	74,5	74,5
B	26	26	26	26	26	26
C	25,5	25,5	25,5	25,5	25,5	25,5
E	31,5	31,5	31,5	31,5	31,5	31,5
F	46	46	46	46	46	46
G	19,5	19,5	19,5	19,5	19,5	19,5



# DIAPHRAGM SAFETY RELIEF VALVES

## MATERIALS



POS.	DESCRIPTION	N.	MATERIAL
1	Body	-	Brass
2	Stem	-	HAIPLÉN H50
3	Spring	-	Stainless steel
4	Plate	-	HAIPLÉN H50
5	Handle	-	HAIPLÉN H50
6	Threaded washer	-	Acetal resin
7	Spring stop	-	Nylon
8	Washer	-	Fiber
9	Cylinder	-	EPDM
10	Plate	-	Brass



# DIAPHRAGM SAFETY RELIEF VALVES

## 369M Diaphragm safety relief valve with pressure gauge connection, male/female thread



### 369M 1/2"x1/2", gauge connection 1/4"

SIZE	PRESSURE	CODE	PACKING
1/2" (DN 15)	1.5	369001215M	10/150
1/2" (DN 15)	1.8	369001218M	10/150
1/2" (DN 15)	2.5	369001225M	10/150
1/2" (DN 15)	3	369001230M	10/150
1/2" (DN 15)	4	369001240M	10/150
1/2" (DN 15)	6	369001260M	10/150

### CERTIFICATIONS



### TECHNICAL SPECIFICATIONS

Body in nickel-plated brass.

Diaphragm: EPDM.

Spring: stainless steel.

Nominal pressure: 10 bar.

Working temperatures: 5°C - 110°C.

Opening overpressure: 20%.

Closing differential: 20%.

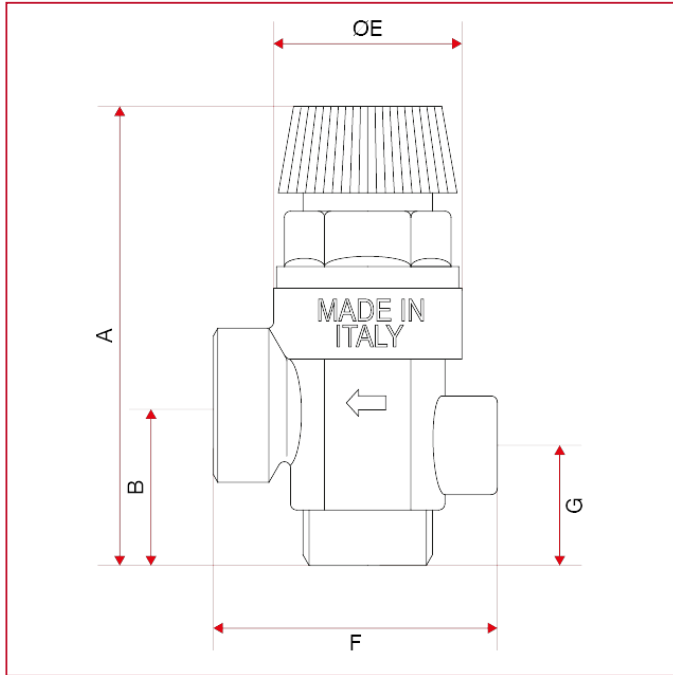
Available settings: 1,5 - 1,8 - 2,5 - 3 - 4 - 6 bar.

Threads: ISO 228 (equivalent to DIN EN ISO 228 and BS EN ISO 228).



# DIAPHRAGM SAFETY RELIEF VALVES

## OVERALL DIMENSIONS



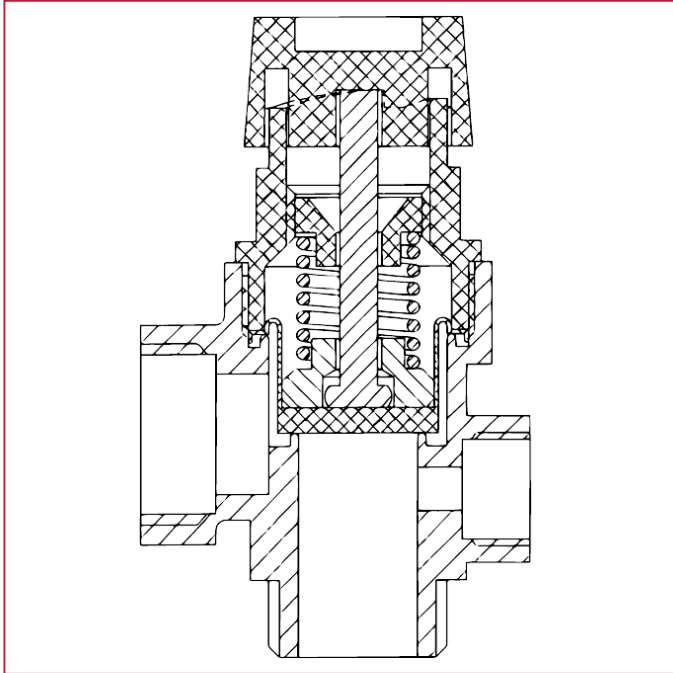
### 369M 1/2"x1/2", gauge connection 1/4"

	1/2"	1/2"	1/2"	1/2"	1/2"	1/2"
A	74,5	74,5	74,5	74,5	74,5	74,5
B	26	26	26	26	26	26
E	31,5	31,5	31,5	31,5	31,5	31,5
F	46	46	46	46	46	46
G	19,5	19,5	19,5	19,5	19,5	19,5



# DIAPHRAGM SAFETY RELIEF VALVES

## MATERIALS



POS.	DESCRIPTION	N.	MATERIAL
1	Body	-	Brass
2	Stem	-	HAIPLÉN H50
3	Spring	-	Stainless steel
4	Plate	-	HAIPLÉN H50
5	Handle	-	HAIPLÉN H50
6	Threaded washer	-	Acetal resin
7	Spring stop	-	Nylon
8	Washer	-	Fiber
9	Cylinder	-	EPDM
10	Plate	-	Brass



**ITAP S.p.A.**  
Via Ruca 19  
25065 Lumezzane  
Brescia (ITALY)  
Tel 030 8927011  
Fax 030 8921990  
[www.itap.it](http://www.itap.it) - [info@itap.it](mailto:info@itap.it)

We reserve the right to make improvements and changes to the products described herein and to the relative technical data, at any time and without forewarning.

rev. 20211127