

## TN05

Built-in bath/shower mixer with  
2 outlets diverter

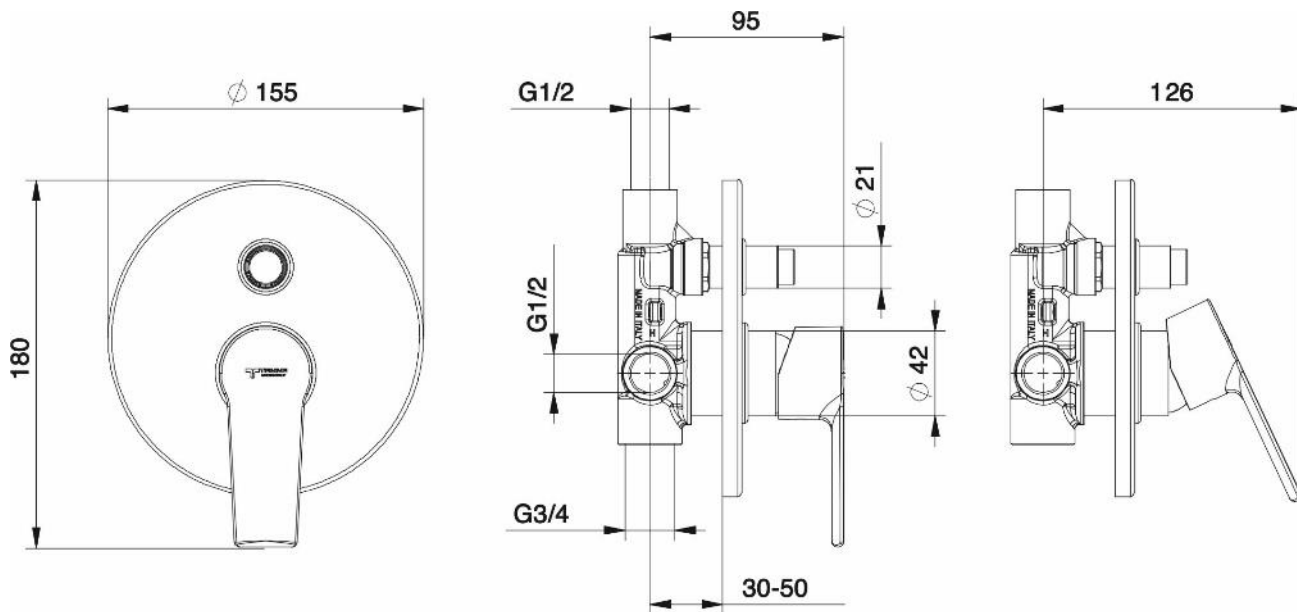


## TEN COLLECTION

### CONSTRUCTION SPECIFICATIONS

- Cartridge ceramic discs:  $\varnothing$  35 mm

### DIMENSIONAL SPECIFICATIONS



### PRODUCTION RANGE

Art.	Code	Description	Finishing	Lever
TN05	411800401	Built-in bath/shower mixer with 2 outlets diverter	CROMO	CROMO
TN05 B2	411800403		RAL 9004	RAL 9004



CROMO



B2 - RAL 9004

## ACCESSORIES

**Art. DC824:** Chromed plate for built-in bath/shower mixer with diverter

COD. 411520404



## CERTIFICATIONS

